

# TOP-2MY

## Specifications

Model	Item	No. of Motor Revolutions 50Hz 1500min <sup>-1</sup>				No. of Motor Revolutions 60Hz 1800min <sup>-1</sup>					
		Theoretical Discharge ℓ / min	Max. Pressure for Motor Output (MPa)				Theoretical Discharge ℓ / min	Max. Pressure for Motor Output (MPa)			
			200W	400W	750W	1500W		200W	400W	750W	1500W
TOP-203HBM		4.2	1.7	3.0	3.0	3.0	5.0	1.3	3.0	3.0	3.0
TOP-204HBM		6.0	1.2	3.0	3.0	3.0	7.2	0.9	2.3	3.0	3.0
TOP-206HBM		9.0	0.7	1.8	2.5	2.5	10.8	0.5	1.4	2.5	2.5
TOP-208HBM		12.0	0.5	1.3	2.5	2.5	14.4	0.3	1.0	2.3	2.5
TOP-210HBM		15.0	0.4	1.1	2.5	2.5	18.0	0.3	0.9	2.0	2.5
TOP-212HBM		18.0	0.3	0.9	2.0	2.0	21.6		0.7	1.6	2.0
TOP-216HBM		24.0	0.2	0.7	1.5	1.5	28.8		0.5	1.2	1.5
TOP-220HBM		30.0		0.4	1.2	1.2	36.0		0.3	0.9	1.2

The above maximum pressure for motor output values are for when using ISO-VG46 oil with an oil temperature of 40 °C.

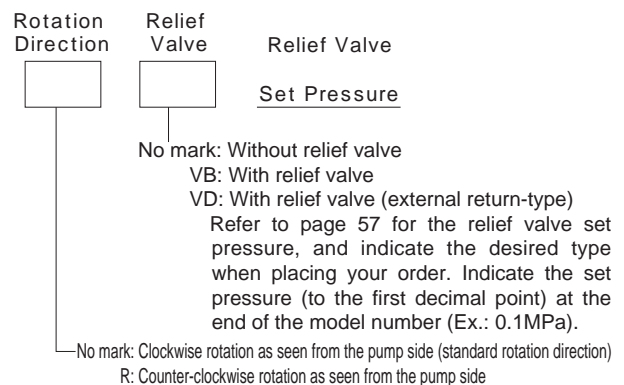
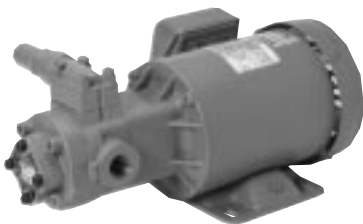
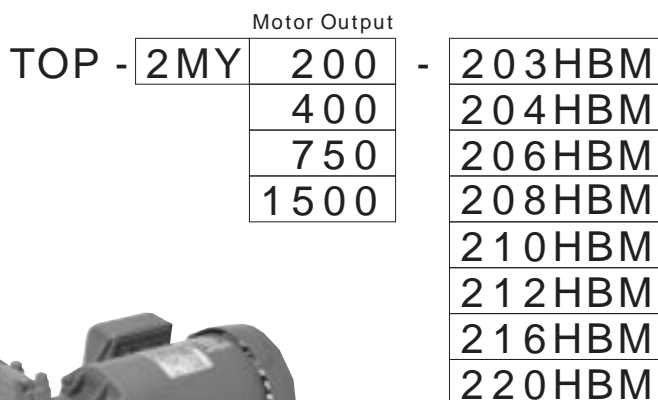
## Motor Specifications

Three-Phase Squirrel-Cage Induction Motor Totally enclosed Class E insulation

Output (W)	No. of Poles (P)	Rating	Voltage (V)	Frequency (Hz)	No. of Revolutions (min <sup>-1</sup> )	Current (A)	Approx. Weight (kg)
200	4	Continuous	200	50	1440	1.34	7.0
			200	60	1720	1.12	
			220	60	1730	1.17	
400	4	Continuous	200	50	1420	2.2	10.0
			200	60	1710	1.93	
			220	60	1730	1.95	
750	4	Continuous	200	50	1440	3.6	14.0
			200	60	1720	3.3	
			220	60	1740	3.2	
1500	4	Continuous	200	50	1430	6.9	22.0
			200	60	1720	6.2	
			220	60	1730	6.1	

\*Please feel free to ask your Nippon Oil Pump representative for more information about special motor specifications such as for outdoor use, explosion-proof, special voltages and reverse box position.

## Model



### Model Examples

TOP-2MY200-203HBMVB (200W, three-phase, with relief valve)

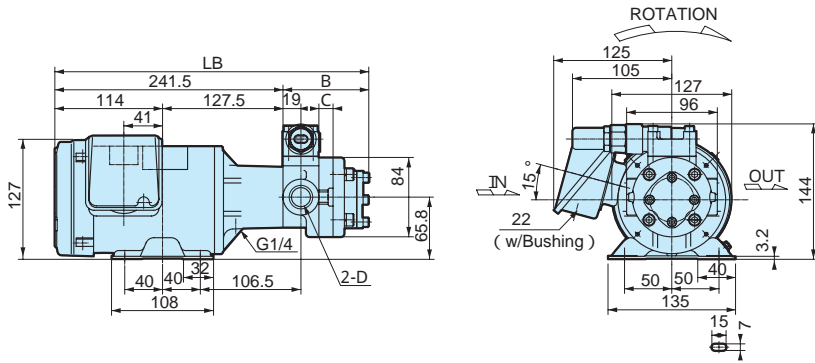
TOP-2MY400-206HBMR (400W, three-phase, counterclockwise rotation as seen from the pump side)

TOP-2MY750-210HBMVD (750W, three-phase, with relief valve <external return type>)

# Dimensional Diagrams

Be sure to check the Nippon Oil Pump homepage for the most up-to-date diagrams and dimensions.

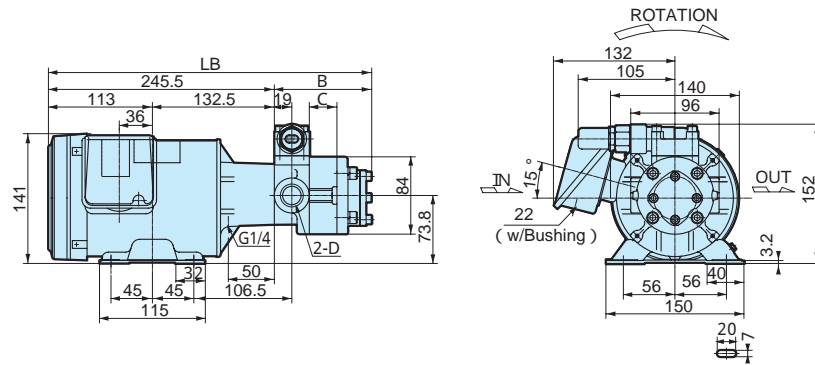
## Model : TOP - 2MY200 - 2HBMVB



Dimensions

Model	Item	LB	B	C	D
2MY200-203HBMVB		324.5	83	7	Rc <sup>1</sup> / <sub>2</sub>
2MY200-204HBMVB		327.5	86	10	
2MY200-206HBMVB		332.5	91	15	
2MY200-208HBMVB		337.5	96	20	Rc <sup>3</sup> / <sub>4</sub>
2MY200-210HBMVB		342.5	101	25	
2MY200-212HBMVB		347.5	106	30	
2MY200-216HBMVB		357.5	116	40	

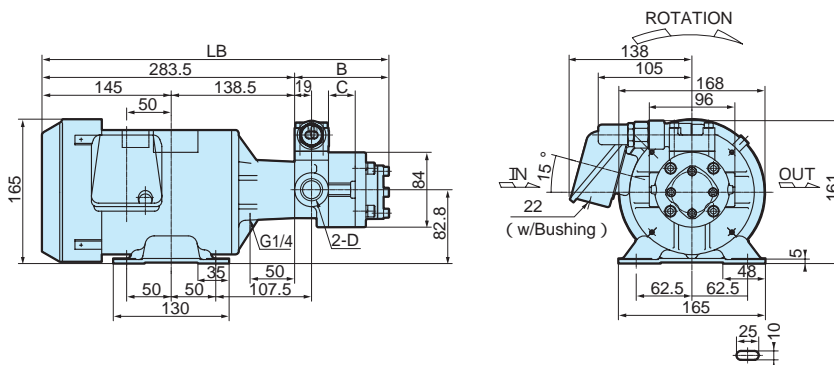
## Model : TOP - 2MY400 - 2HBMVB



Dimensions

Model	Item	LB	B	C	D
2MY400-203HBMVB		328.5	83	7	Rc <sup>1</sup> / <sub>2</sub>
2MY400-204HBMVB		331.5	86	10	
2MY400-206HBMVB		336.5	91	15	
2MY400-208HBMVB		341.5	96	20	Rc <sup>3</sup> / <sub>4</sub>
2MY400-210HBMVB		346.5	101	25	
2MY400-212HBMVB		351.5	106	30	
2MY400-216HBMVB		361.5	116	40	
2MY400-220HBMVB		371.5	126	50	

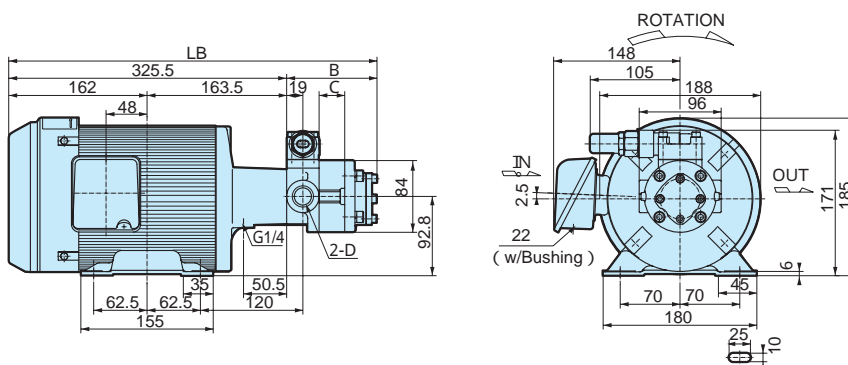
## Model : TOP - 2MY750 - 2HBMVB



Dimensions

Model	Item	LB	B	C	D
2MY750-203HBMVB		366.5	83	7	Rc <sup>1</sup> / <sub>2</sub>
2MY750-204HBMVB		369.5	86	10	
2MY750-206HBMVB		374.5	91	15	
2MY750-208HBMVB		379.5	96	20	Rc <sup>3</sup> / <sub>4</sub>
2MY750-210HBMVB		384.5	101	25	
2MY750-212HBMVB		389.5	106	30	
2MY750-216HBMVB		399.5	116	40	
2MY750-220HBMVB		409.5	126	50	

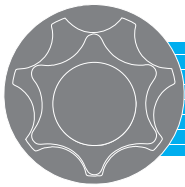
## Model : TOP - 2MY1500 - 2HBMVB



Dimensions

Model	Item	LB	B	C	D
2MY1500-203HBMVB		408.5	83	7	Rc <sup>1</sup> / <sub>2</sub>
2MY1500-204HBMVB		411.5	86	10	
2MY1500-206HBMVB		416.5	91	15	
2MY1500-208HBMVB		421.5	96	20	Rc <sup>3</sup> / <sub>4</sub>
2MY1500-210HBMVB		426.5	101	25	
2MY1500-212HBMVB		431.5	106	30	
2MY1500-216HBMVB		441.5	116	40	
2MY1500-220HBMVB		451.5	126	50	

2HB



# TOP-2ME S (Single-Phase Motor)

## Specifications

Model	Item	No. of Motor Revolutions 50Hz 1500min <sup>-1</sup>			No. of Motor Revolutions 60Hz 1800min <sup>-1</sup>				
		Theoretical Discharge ℓ / min	Max. Pressure for Motor Output (MPa)			Theoretical Discharge ℓ / min	Max. Pressure for Motor Output (MPa)		
			200W	400W	750W		200W	400W	750W
TOP-203HBM		4.2	1.7	3.0	3.0	5.0	1.3	3.0	3.0
TOP-204HBM		6.0	1.2	3.0	3.0	7.2	0.9	2.3	3.0
TOP-206HBM		9.0	0.7	1.8	2.5	10.8	0.5	1.4	2.5
TOP-208HBM		12.0	0.5	1.3	2.5	14.4	0.3	1.0	2.3
TOP-210HBM		15.0	0.4	1.1	2.5	18.0	0.3	0.9	2.0
TOP-212HBM		18.0	0.3	0.9	2.0	21.6		0.7	1.6
TOP-216HBM		24.0	0.2	0.7	1.5	28.8		0.5	1.2
TOP-220HBM		30.0		0.4	1.2	36.0		0.3	0.9

The above maximum pressure for motor output values are for when using ISO-VG46 oil with an oil temperature of 40 °C.

## Motor Specifications

Open, drip-proof Condenser-start type

Output( W )	No. of Poles( P )	Rating	Voltage( V )	Frequency( Hz )	No. of Revolutions ( min <sup>-1</sup> )	Current( A )	Approx. Weight( kg )
200	4	Continuous	100	50	1430	5.6	10
			200	60	1720	4.9	
400	4	Continuous	100	50	1420	8.4	15
			200	60	1710	7.6	
750	4	Continuous	100	50	1450	11.2	21
			200	60	1740	9.6	
			200	50	1450	5.7	
				60	1740	4.9	

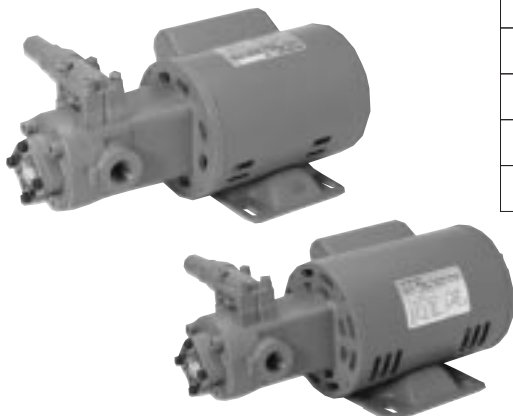
## Model

TOP -	2ME	Motor Output	Phase	-	203HBM
		200	S		204HBM
		400	S		206HBM
		750	S		208HBM
					210HBM
					212HBM
					216HBM
					220HBM

Rotation Direction	Relief Valve	Relief Valve
<input type="checkbox"/>	<input type="checkbox"/>	Set Pressure

No mark: Without relief valve  
 VB: With relief valve  
 VD: With relief valve (external return-type)  
 Refer to page 57 for the relief valve set pressure, and indicate the desired type when placing your order. Indicate the set pressure (to the first decimal point) at the end of the model number (Ex.: 0.1MPa).

—No mark: Clockwise rotation as seen from the pump side (standard rotation direction)  
 R: Counterclockwise rotation as seen from the pump side



### Model Examples

TOP-2ME200S-203HBMVB (200W, single-phase, with relief valve)

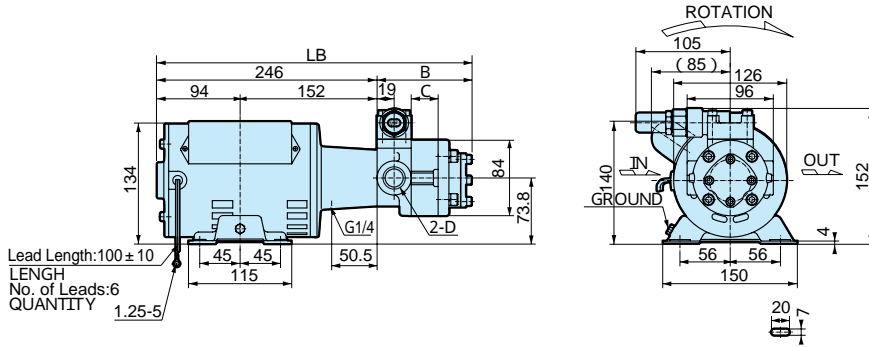
TOP-2ME400S-206HBMR (400W, single-phase, counterclockwise rotation as seen from the pump side)

TOP-2ME750S-210HBMVD (750W, single-phase, with relief valve <external return type>)

# Dimensional Diagrams

Be sure to check the Nippon Oil Pump homepage for the most up-to-date diagrams and dimensions.

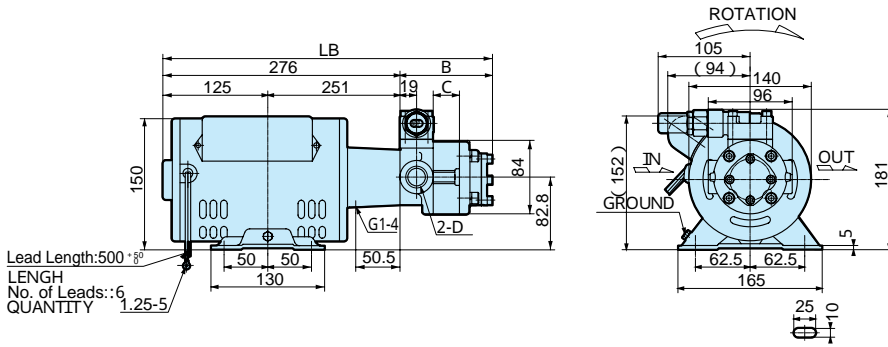
## Model : TOP - 2ME200 S - 2HBMVB



Dimensions

Model	Item	LB	B	C	D
2ME200S-203HBMVB		329	83	7	Rc <sup>1/2</sup>
2ME200S-204HBMVB		332	86	10	
2ME200S-206HBMVB		337	91	15	
2ME200S-208HBMVB		342	96	20	Rc <sup>3/4</sup>
2ME200S-210HBMVB		347	101	25	
2ME200S-212HBMVB		352	106	30	
2ME200S-216HBMVB		362	116	40	

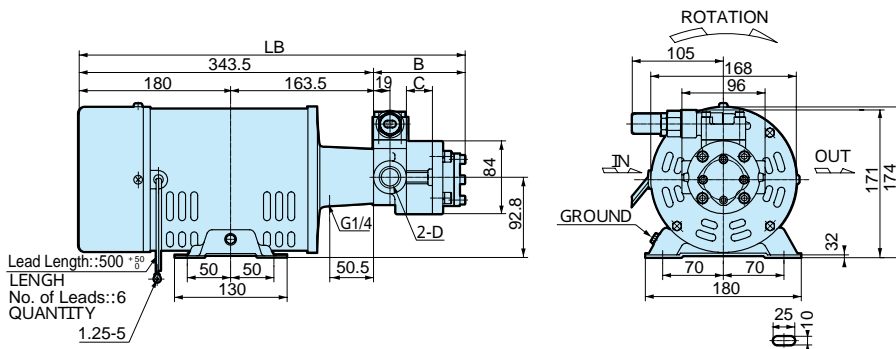
## Model : TOP - 2ME400 S - 2HBMVB



Dimensions

Model	Item	LB	B	C	D
2ME400S-203HBMVB		359	83	7	Rc <sup>1/2</sup>
2ME400S-204HBMVB		362	86	10	
2ME400S-206HBMVB		367	91	15	
2ME400S-208HBMVB		372	96	20	Rc <sup>3/4</sup>
2ME400S-210HBMVB		377	101	25	
2ME400S-212HBMVB		382	106	30	
2ME400S-216HBMVB		392	116	40	
2ME400S-220HBMVB		402	126	50	

## Model : TOP - 2ME750 S - 2HBMVB

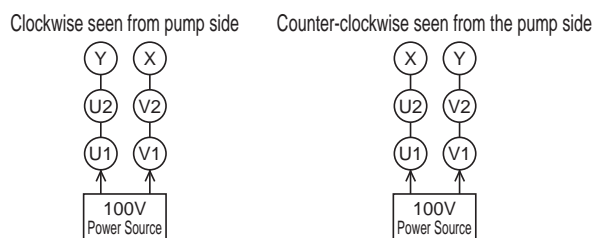


Dimensions

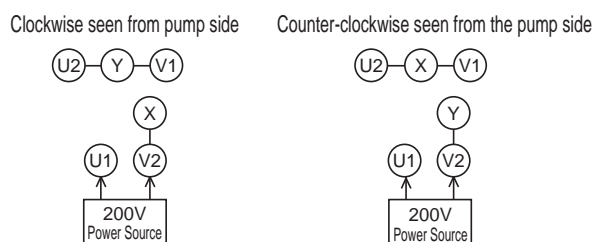
Model	Item	LB	B	C	D
2ME750S-203HBMVB		426.5	83	7	Rc <sup>1/2</sup>
2ME750S-204HBMVB		429.5	86	10	
2ME750S-206HBMVB		434.5	91	15	
2ME750S-208HBMVB		439.5	96	20	Rc <sup>3/4</sup>
2ME750S-210HBMVB		444.5	101	25	
2ME750S-212HBMVB		449.5	106	30	
2ME750S-216HBMVB		459.5	116	40	
2ME750S-220HBMVB		469.5	126	50	

# Wiring Diagram

### 100V



### 200V



U2-Y-V1 in the clockwise direction as seen from the pump side  
 When going in the counter-clockwise direction as seen from the pump side, there will be no need to connect directly to the power source if the three lines of U2, X and V1 are bundled together.