

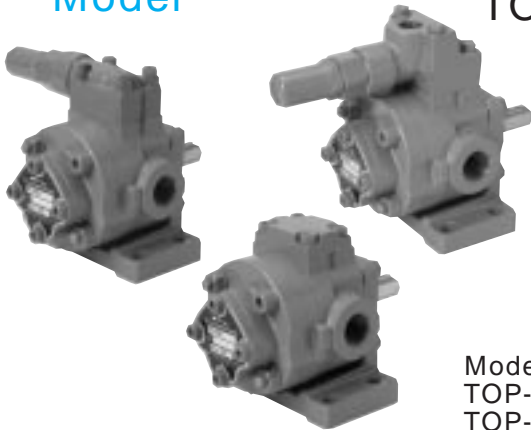
TOP-2HB

Specifications

Model	Item	Theoretical Displacement cm ³ /rev	Theoretical Discharge ℓ /min		Max. Discharge Pressure MPa	Max. Revolution min ⁻¹	Approx. Weight kg
			1500min ⁻¹	1800min ⁻¹			
TOP-203HB		2.8	4.2	5.0	3.0	3000	3.5 (3.9)
TOP-204HB		4	6.0	7.2	3.0	3000	3.6 (4)
TOP-206HB		6	9.0	10.8	2.5	2500	3.8 (4.2)
TOP-208HB		8	12.0	14.4	2.5	2500	4 (4.4)
TOP-210HB		10	15.0	18.0	2.5	2500	4.1 (4.6)
TOP-212HB		12	18.0	21.6	2.0	2000	4.3 (4.7)
TOP-216HB		16	24.0	28.8	1.5	1800	4.6 (5.1)
TOP-220HB		20	30.0	36.0	1.2	1800	5 (5.5)

The above maximum discharge and maximum revolution values are for when using ISO-VG46 oil with an oil temperature of 40 °C.
The approximate weight values shown in the brackets () are for when a relief valve is attached.

Model



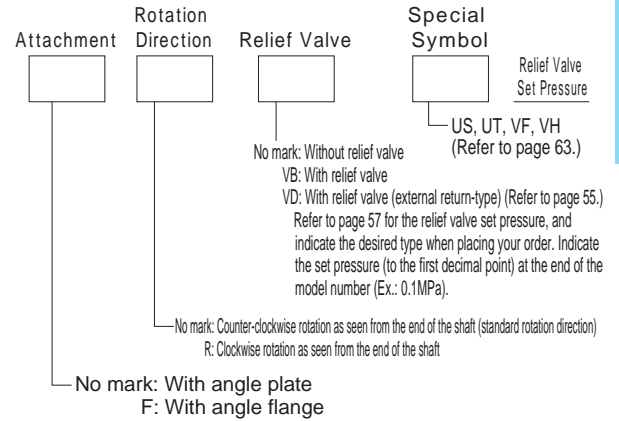
TOP -

203HB
204HB
206HB
208HB
210HB
212HB
216HB
220HB

Model Examples:

TOP-203HBVB (with relief valve)

TOP-204HBFR (with angle flange, clockwise rotation as seen from the end of the shaft)



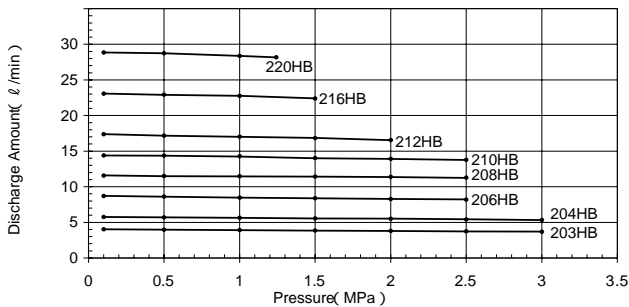
2HB

Performance Table

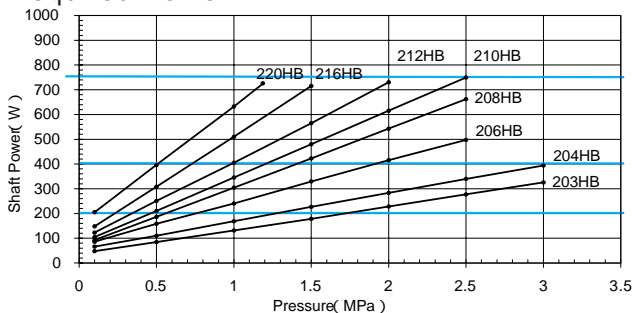
Test Conditions Oil: ISO-VG46 with a temperature of 40 °C

At 1,450 Rotations

Flow Rate Characteristics

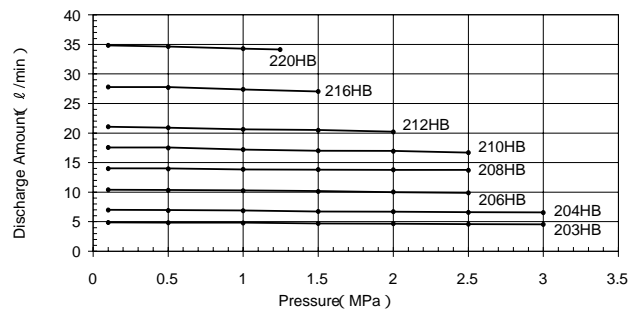


Required Power

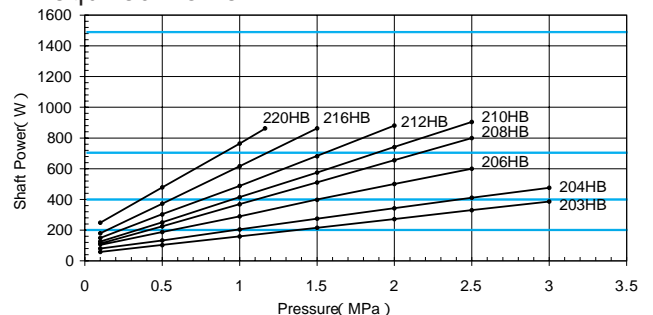


At 1,750 Rotations

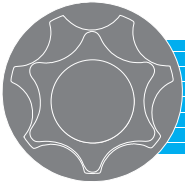
Flow Rate Characteristics



Required Power



Select the best motor using the lines in the "Required Power" table as the applicable standards.

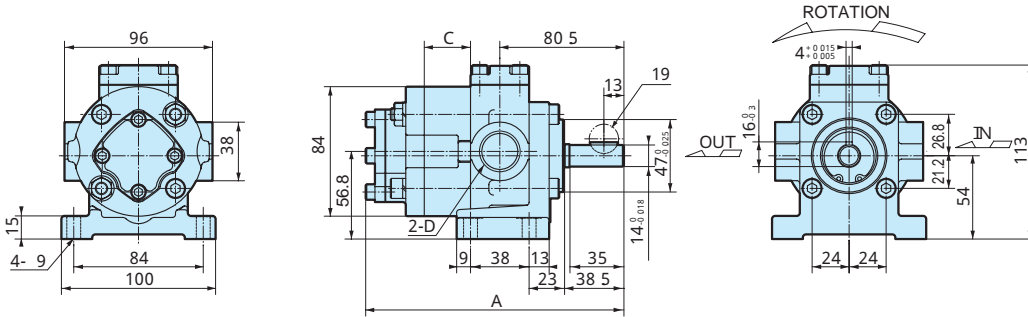


TOP-2HB

Dimensional Diagrams

Be sure to check the Nippon Oil Pump homepage for the most up-to-date diagrams and dimensions.

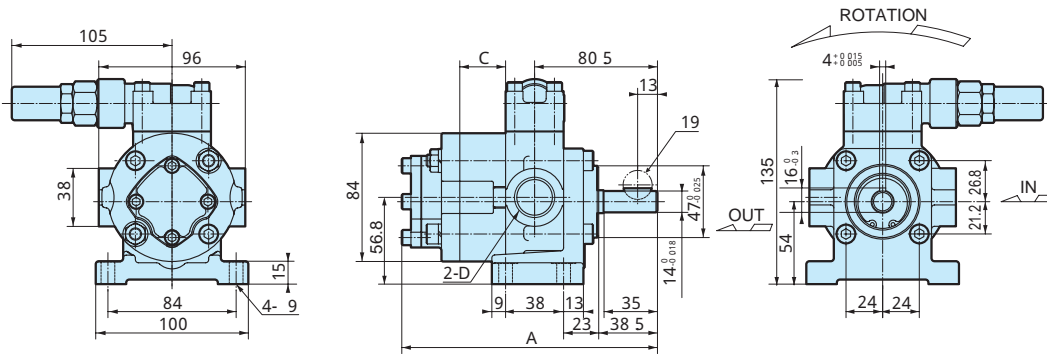
Model : TOP - 2HB



Dimensions

Model	Item	A	C	D
203HB		144.5	7	Rc ^{1/2}
204HB		147.5	10	
206HB		152.5	15	
208HB		157.5	20	
210HB		162.5	25	Rc ^{3/4}
212HB		167.5	30	
216HB		177.5	40	
220HB		187.5	50	

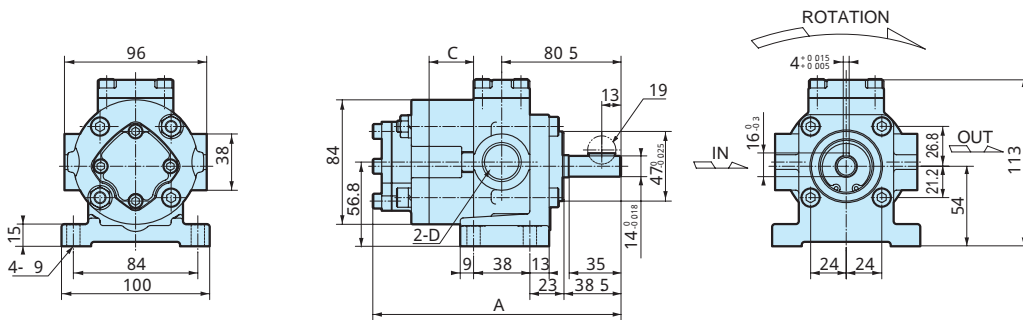
Model : TOP - 2HBVB



Dimensions

Model	Item	A	C	D
203HBVB		144.5	7	Rc ^{1/2}
204HBVB		147.5	10	
206HBVB		152.5	15	
208HBVB		157.5	20	
210HBVB		162.5	25	Rc ^{3/4}
212HBVB		167.5	30	
216HBVB		177.5	40	
220HBVB		187.5	50	

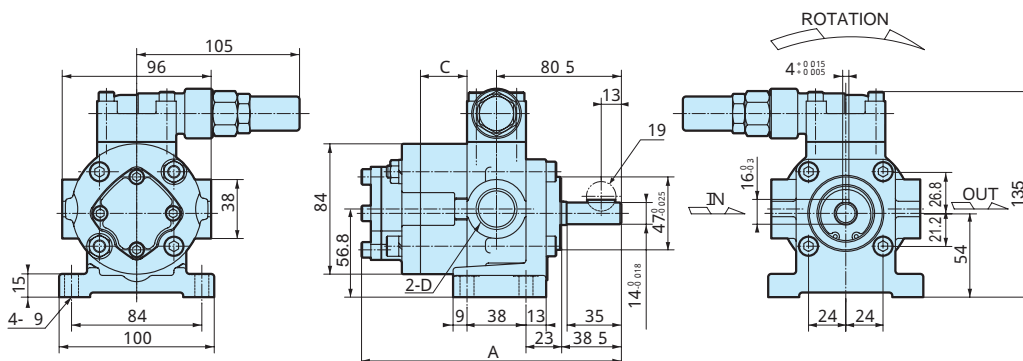
Model : TOP - 2HBR



Dimensions

Model	Item	A	C	D
203HBR		144.5	7	Rc ^{1/2}
204HBR		147.5	10	
206HBR		152.5	15	
208HBR		157.5	20	
210HBR		162.5	25	Rc ^{3/4}
212HBR		167.5	30	
216HBR		177.5	40	
220HBR		187.5	50	

Model : TOP - 2HBRVB



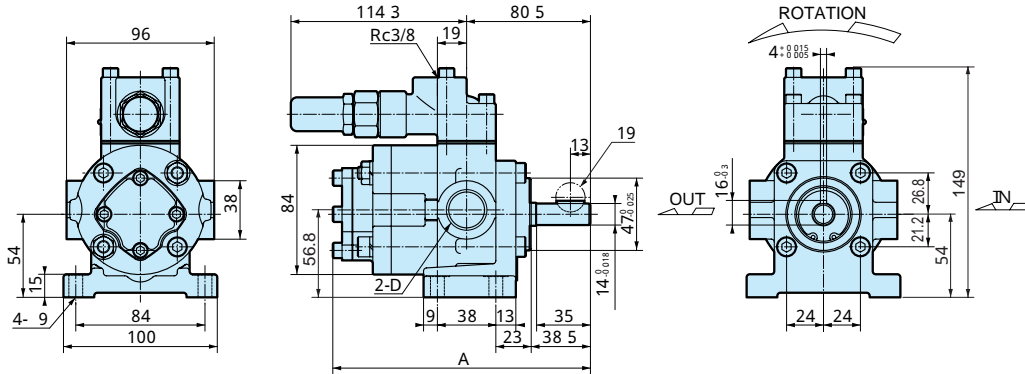
Dimensions

Model	Item	A	C	D
203HBRVB		144.5	7	Rc ^{1/2}
204HBRVB		147.5	10	
206HBRVB		152.5	15	
208HBRVB		157.5	20	
210HBRVB		162.5	25	Rc ^{3/4}
212HBRVB		167.5	30	
216HBRVB		177.5	40	
220HBRVB		187.5	50	

Dimensional Diagrams

Be sure to check the Nippon Oil Pump homepage for the most up-to-date diagrams and dimensions.

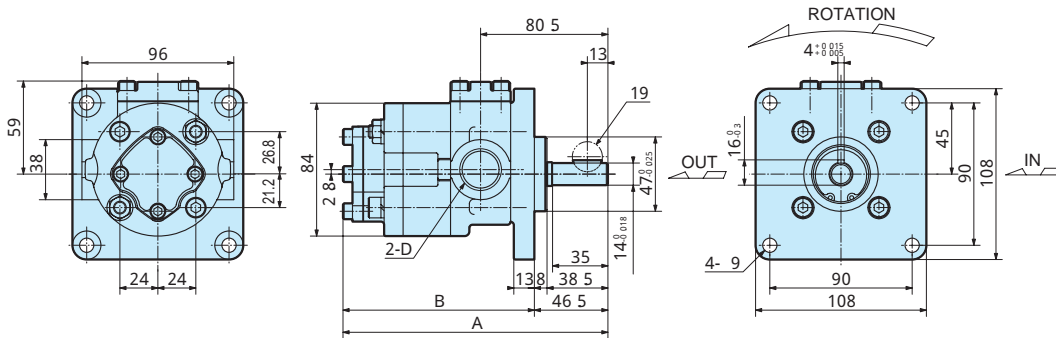
Model : TOP - 2HBVD



Dimensions

Model	Item	A	C	D
203HBVD		144.5	7	Rc ¹ / ₂
204HBVD		147.5	10	
206HBVD		152.5	15	
208HBVD		157.5	20	
210HBVD		162.5	25	Rc ³ / ₄
212HBVD		167.5	30	
216HBVD		177.5	40	
220HBVD		187.5	50	

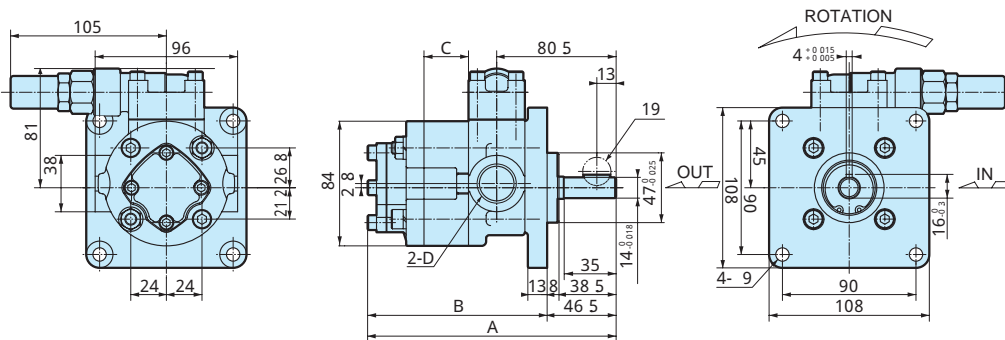
Model : TOP - 2HBF



Dimensions

Model	Item	A	B	C	D
203HBF		144.5	98	7	Rc ¹ / ₂
204HBF		147.5	101	10	
206HBF		152.5	106	15	
208HBF		157.5	111	20	
210HBF		162.5	116	25	Rc ³ / ₄
212HBF		167.5	121	30	
216HBF		177.5	131	40	
220HBF		187.5	141	50	

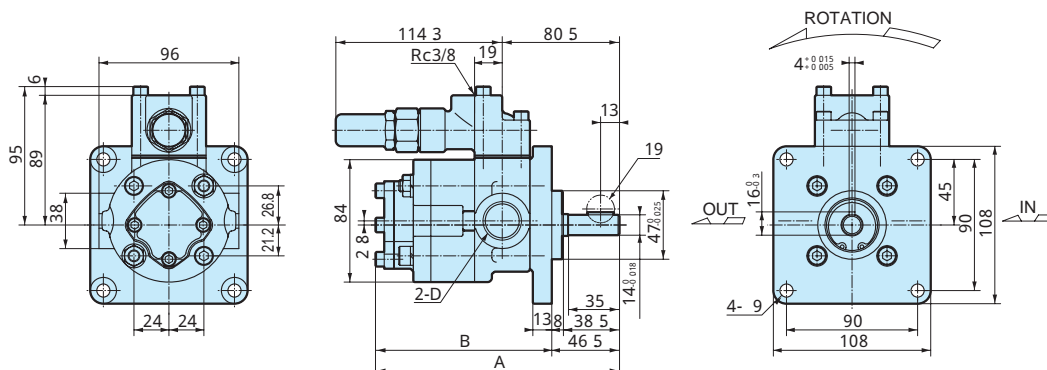
Model : TOP - 2HBFVB



Dimensions

Model	Item	A	B	C	D
203HBFVB		144.5	98	7	Rc ¹ / ₂
204HBFVB		147.5	101	10	
206HBFVB		152.5	106	15	
208HBFVB		157.5	111	20	
210HBFVB		162.5	116	25	Rc ³ / ₄
212HBFVB		167.5	121	30	
216HBFVB		177.5	131	40	
220HBFVB		187.5	141	50	

Model : TOP - 2HBFVD



Dimensions

Model	Item	A	B	C	D
203HBFVB		144.5	98	7	Rc ¹ / ₂
204HBFVB		147.5	101	10	
206HBFVB		152.5	106	15	
208HBFVB		157.5	111	20	
210HBFVB		162.5	116	25	Rc ³ / ₄
212HBFVB		167.5	121	30	
216HBFVB		177.5	131	40	
220HBFVB		187.5	141	50	